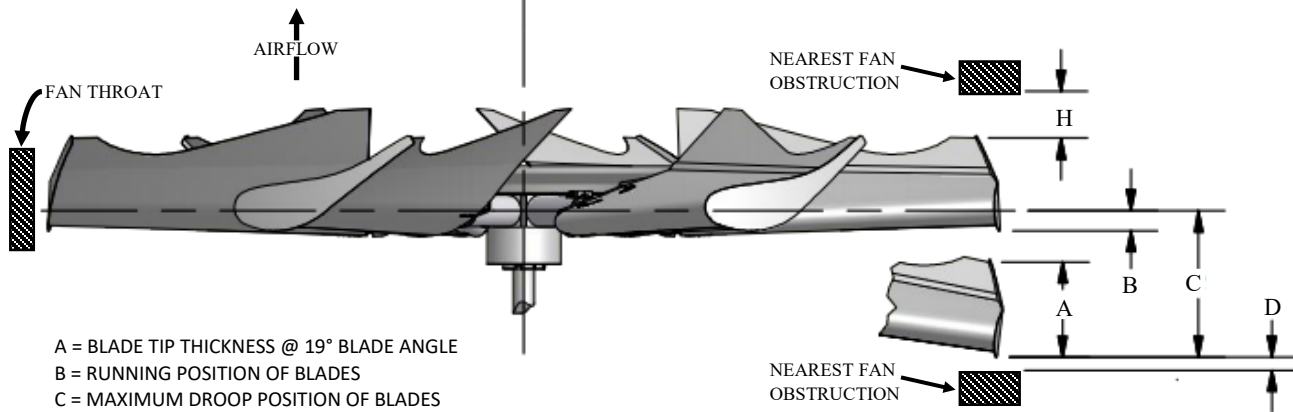
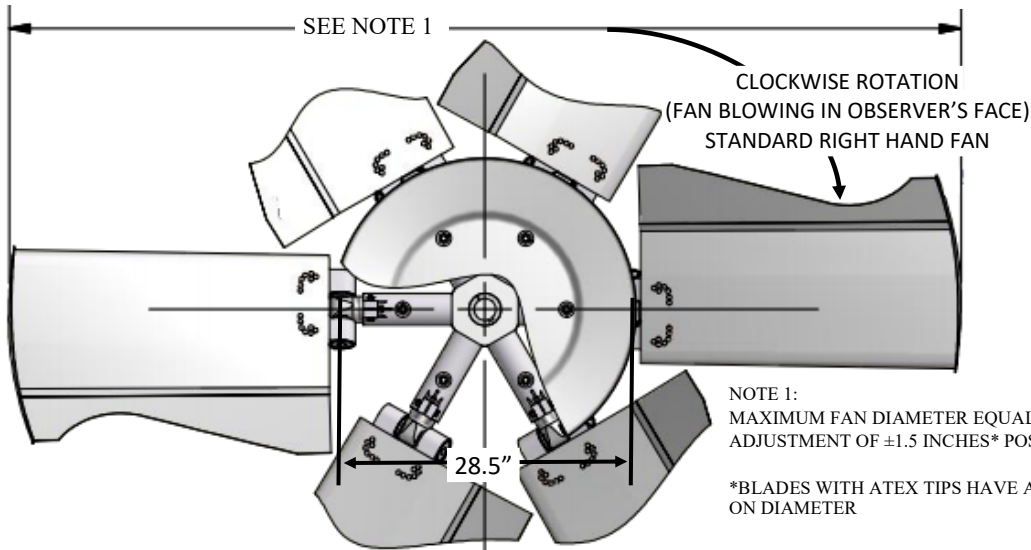
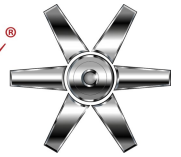


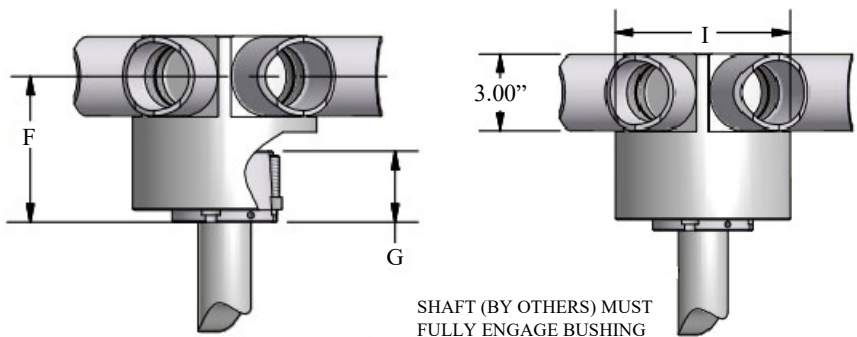
CLASS 10000 HD SERIES 30 EC

EXTENDED CHORD, EXTENDED HUB, RH ROTATION

Moore
FANS



- A = BLADE TIP THICKNESS @ 19° BLADE ANGLE
- B = RUNNING POSITION OF BLADES
- C = MAXIMUM DROOP POSITION OF BLADES
- D = MINIMUM OBSTACLE CLEARANCE AT INLET
- F = CENTERLINE OF FAN TO BASE OF BUSHING
- G = BUSHING OVERALL HEIGHT
- H = MINIMUM OBSTACLE CLEARANCE AT OUTLET
- I = NOMINAL MECHANICAL HUB DIAMETER
- L = MAX . BUSHING TORQUE FT. LBS.
- # = WITH S.A.E. STANDARD SQUARE KEYWAY
- * = WITH SHALLOW KEYWAY IN BUSHING
- o = MAX METRIC BORE WITH STANDARD KEYWAY



BUSHING CAN BE INSTALLED ON
INLET OR OUTLET SIDE OF FAN

WITH FAN OPERATING AT
12000 FT/MINUTE BLADE TIP SPEED

DIA	PERCENT BLADE LOADING		C	D	H	
	100%	75%				
	B					
5'	7.5"	4.3"	4.3"	4.6"	2.0"	14.0"
6'	7.5"	4.7"	4.5"	5.2"	2.0"	14.0"
7'	7.5"	5.2"	4.9"	6.0"	2.0"	14.0"
8'	7.5"	5.9"	5.4"	7.0"	2.0"	14.0"
9'	7.5"	6.7"	6.0"	8.3"	2.0"	14.0"
10'	7.5"	7.6"	6.8"	9.8"	2.0"	14.0"

MAX BLADES	BUSHING TYPE	MAX # BORE	MAX * BORE	MAX o BORE	I	F	G	L
6	U	2.750"	2.938"	75	7"	5.5", 8.0" OR 12"	2.7"	4000
8	U	2.750"	2.938"	75	9"		2.7"	4000
6	W	3.750"	4.000"	100	9"	5.5", 8.0" 12", 16" 20", 24"	2.8"	7300
8	W	3.750"	4.000"	100	9"		2.8"	7300
10	U	2.750"	2.938"	75	12"	5.5", 8.0" 12", 16" 20", 24"	2.7"	4000
10	W	3.750"	4.000"	100	12"		2.8"	7300